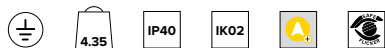
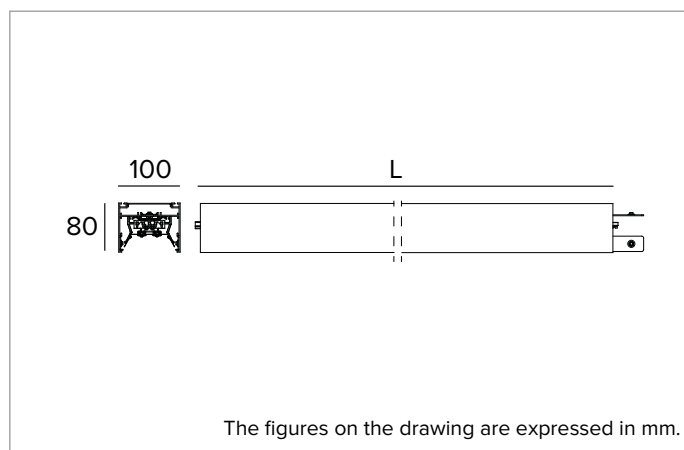


## T012MZ840ELDB | LOGICO EASY System 100 - OPAL HO

LED luminaire for ceiling or suspended system installation. Emergency linear module



		4000K	H(m)	D(m)	E <sub>max</sub> (lx)	
		Ra80		109°		
Fixture Power		41W	1	2.82	1362	
Source Flux		3789lm	2	5.64	340	
Fixture Flux		3789lm	3	8.46	151	
Efficacy		92lm/W	4	11.28	85	
G0301A	I <sub>max</sub> =359cd/klm	I <sub>max</sub>	1362cd	5	14.10	54



### SOURCE

LED Engine made of linear LED boards Ra80.

**Energy efficiency class:** D

**Nominal power:** 36W

**Nominal flux:** 3789lm

**Colour rendering index:** 80

**Rf:** 84

**Rg:** 95

**CCT nominal:** 4000K

**Lifetime (L80/B10):** 100000h tq +25°C

### ILLUMINOTECHNICAL CHARACTERISTICS

Direct emission. Diffused light - OPAL High Output optic: optical system made of a steel reflector with white polymer coating and a closing diffuser screen in opal anti-glare polycarbonate supplied in unrollable reels and available as a related code.

**Emission:** DIRECT

**Optic:** REFLECTOR

**Optical efficiency:** 100%

**Fixture flux:** 3789lm

**Emergency fixture flux BLF:** 11%

**Luminous efficacy:** 92lm/W

**Photobiological safety:** Compliant with RG0 exempt risk group

### MECHANICAL CHARACTERISTICS

Painted extruded aluminium body with 100mm section. Upper closing screen in black PVC.

**Colour and finish:** Black

**Dimensions:** L=1168mm

**Weight:** 4.35Kg

**Version:** LINEAR

**Degree of protection:** IP40

**Mechanical Resistance:** IK02

### ELECTRICAL CHARACTERISTICS

Integrated electronic ON-OFF driver. "Easy Connection" system for a quick connection between the modules of the system thanks to the pre-assembled plug/socket connection elements. Preset for through wiring allowing to reach a maximum length of 18 meters. Equipped with emergency pack - permanent emergency (1h autonomy and 24h recharge).

**Fixture Power:** 41W

**Power supply:** 220-240Vac 50/60Hz

**Insulation Class:** CLASS 1

**Type of driver / Control:** ON-OFF (EMERGENCY VERSION)

**Driver included:** YES

**Class F:** YES

**SAFE FLICKER:** PstLM=<1 and SVM=<0.4 (IEC TR 61547-1 and IEC TR 63158), to ensure a more comfortable and safe light

**Ambient temperature:** 0°C / +25°C

**Relative humidity UR:** <85%

### INSTALLATION

To be completed with polycarbonate end caps, mounting systems for surface or suspended application and terminal block for connection to the power line.

### NOTES

For angular configurations L light modules and the L blind joint accessory are available. Commissioning of the control system via free APP; the intervention of a specialist technician can be quoted on request.

### REGULATIONS AND CERTIFICATIONS

CE.

### WARRANTY

5 years.

### WARNING

Luminaire designed for disposal/recycling at end-of-life. Replaceable (LED only) light source by a professional. Replaceable control gear by a professional.

Due to the technological evolution of the electronic components, the data provided may be updated, and as such, confirmation must be requested during the order process.

Luminous flux and power supply have +/-10% tolerances with respect to the indicated value. tq +25°C (CIE 121).

We reserve the right to make technical changes.

Targetti Sankey S.r.l.  
Via Pratese, 164  
50145 Firenze - Italy  
Tel: +39 055 37911  
targetti.com  
targetti@targetti.com

CCIAA Firenze  
Share Capital:  
€ 500.000,00  
VAT N. (IT):  
01537660480  
R.E.A: FI-275656

**TARGETTI**

## T012MZ840ELDB | LOGICO EASY System 100 - OPAL HO

LED luminaire for ceiling or suspended system installation. Emergency linear module

### Related codes

#### Screen



Dimensions	Code
L=6m	<b>A002LL1</b>
L=9m	<b>A002LL2</b>
L=15m	<b>A002LL3</b>

OPAL screen (Direct Emission).  
For LOGICO EASY System 100 - OPAL.

### Accessories

#### End Caps



Colour	Code
	<b>A003L1B</b>

End caps (2 pieces).  
For LOGICO EASY System 100.

#### Canopy



Colour	Code
	<b>A004B</b>

Canopy with 5 poles terminal block.  
Feeding cable not included.

#### Cover Panel



Colour	Code
	<b>A005LB</b>

Joint for screens.  
To be used for configurations longer than 15 meters.  
For LOGICO EASY System 100.

#### Bracket



Code
<b>A006L</b>

Bracket for ceiling installation (2 pieces).  
Two brackets needed for each lighting module.  
For LOGICO EASY 100.



Code
<b>A007L</b>

Bracket with adjustment system for suspended installation (2 pieces).  
Two brackets needed for each lighting module.  
For LOGICO EASY 100.

Due to the technological evolution of the electronic components, the data provided may be updated, and as such, confirmation must be requested during the order process.  
Luminous flux and power supply have +/-10% tolerances with respect to the indicated value. tq +25°C (CIE 121).

We reserve the right to make technical changes.

Targetti Sankey S.r.l.  
Via Pratese, 164  
50145 Firenze - Italy  
Tel: +39 055 37911  
targetti.com  
targetti@targetti.com

CCIAA Firenze  
Share Capital:  
€ 500.000,00  
VAT N. (IT):  
01537660480  
R.E.A: FI-275656

**TARGETTI**

**T012MZ840ELDB | LOGICO EASY System 100 - OPAL HO**  
**LED luminaire for ceiling or suspended system installation. Emergency linear module**

**Suspension**



	Version	Code
	L=6m	<b>A008T</b>
	L=5m	<b>A008U</b>
	L=4m	<b>A008V</b>
	L=3m	<b>A008W</b>
	L=2m	<b>A008X</b>
	L=1m	<b>A008Y</b>
	L=0,5m	<b>A008Z</b>

Suspension cable (2 pieces).

**Terminal Box**



	Version	Code
	3 Poli ON-OFF	<b>A009Z</b>

Terminal block (plug/socket).  
 One for each power supply.  
**A009Z** - For LOGICO EASY 37 | 57 | 100.

Due to the technological evolution of the electronic components, the data provided may be updated, and as such, confirmation must be requested during the order process.  
 Luminous flux and power supply have +/-10% tolerances with respect to the indicated value. tq +25°C (CIE 121).

We reserve the right to make technical changes.

Targetti Sankey S.r.l.  
 Via Pratese, 164  
 50145 Firenze - Italy  
 Tel: +39 055 37911  
 targetti.com  
 targetti@targetti.com

CCIAA Firenze  
 Share Capital:  
 € 500.000,00  
 VAT N. (IT):  
 01537660480  
 R.E.A: FI-275656

